



# SpinalHDL

An alternative hardware description language

# Summary

- SpinalHDL introduction
- Simple differences with VHDL/Verilog
- Hardware description examples
  - By using abstractions
  - By using software engineering
  
- Disclaimer
  - This talk will only be about synthesizable hardware

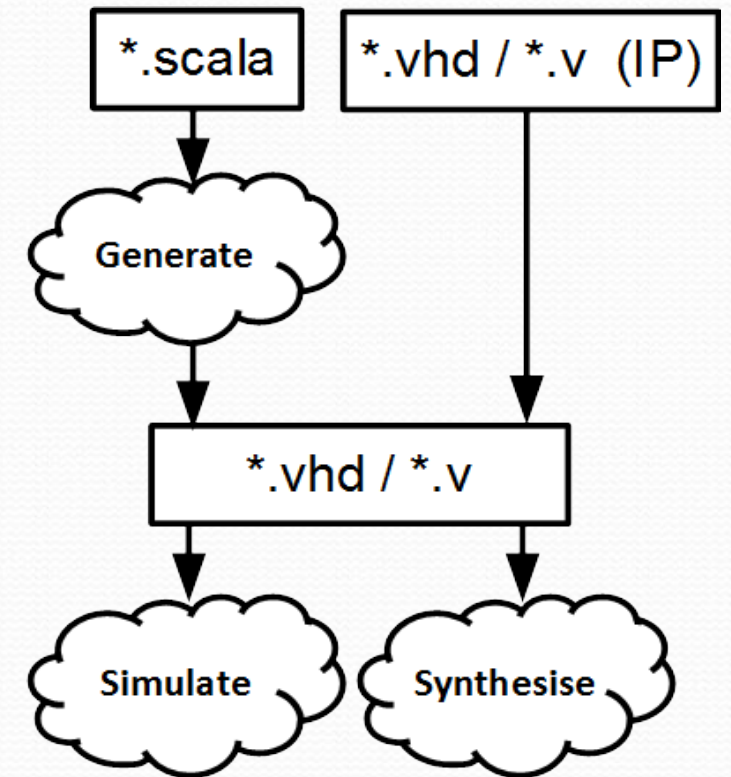
# Context :

- VHDL-2002 and Verilog-2005 are bottlenecks by many aspects
- VHDL-2008 and SV will not all save us (EDA support, features ...)

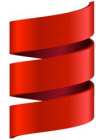


# SpinalHDL introduction

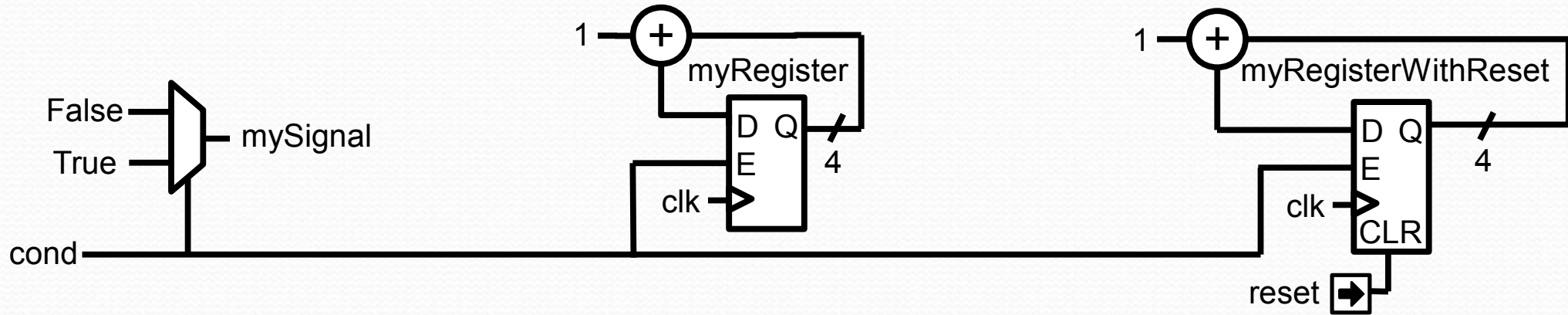
- Open source, started in december 2014
- Focus on RTL description
- Thought to be interoperable with existing tools
  - It generates VHDL/Verilog files (as an output netlist)
  - It can integrate VHDL/Verilog IP as blackbox
- Abstraction level :
  - An RTL approach as VHDL/Verilog
  - If you want to, you can use many abstraction utils and also define new ones



# Some points about SpinalHDL

- There is no logic overhead in the generated code. (I swear !)
- The component hierarchy and all names are preserved during the VHDL/Verilog generation. (Good for simulations)
- It is an language hosted on the top of Scala !  (And it is a very good thing)

# Hardware design by using events driven constructs (VHDL)



```
signal mySignal : std_logic;
```

```
process(cond)
begin
  mySignal <= '0';
  if cond = '1' then
    mySignal <= '1';
  end if;
end process;
```

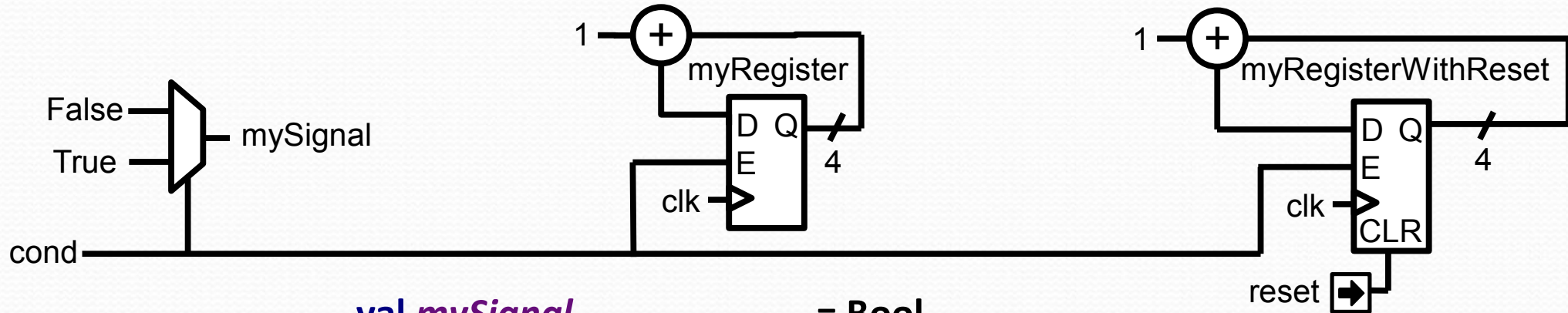
```
signal myRegister : unsigned(3 downto 0);
```

```
process(clk)
begin
  if rising_edge(clk) then
    if cond = '1' then
      myRegister <= myRegister + 1;
    end if;
  end if;
end process;
```

```
signal myRegisterWithReset : unsigned(3 downto 0);
```

```
process(clk,reset)
begin
  if reset = '1' then
    myRegisterWithReset <= 0;
  elsif rising_edge(clk) then
    if cond = '1' then
      myRegisterWithReset <= myRegisterWithReset + 1;
    end if;
  end if;
end process;
```

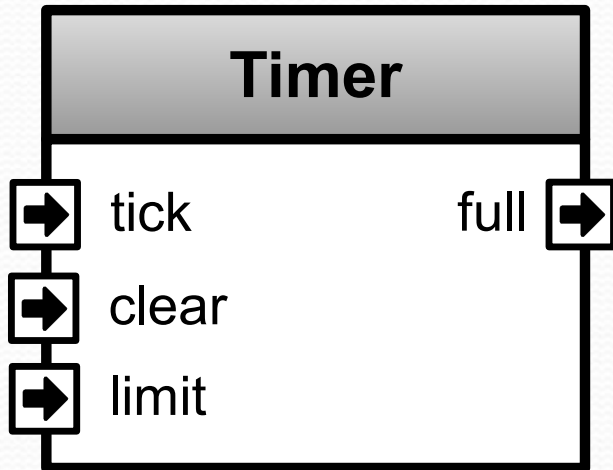
# By using an dedicated syntax (SpinalHDL)



```
val mySignal           = Bool
val myRegister         = Reg(UInt(4 bits))
val myRegisterWithReset = Reg(UInt(4 bits)) init(0)
```

```
mySignal := False
when(cond) {
  mySignal           := True
  myRegister         := myRegister + 1
  myRegisterWithReset := myRegisterWithReset + 1
}
```

# A timer implementation



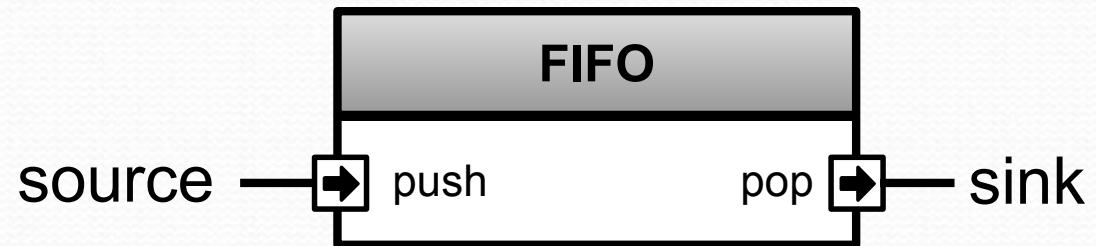
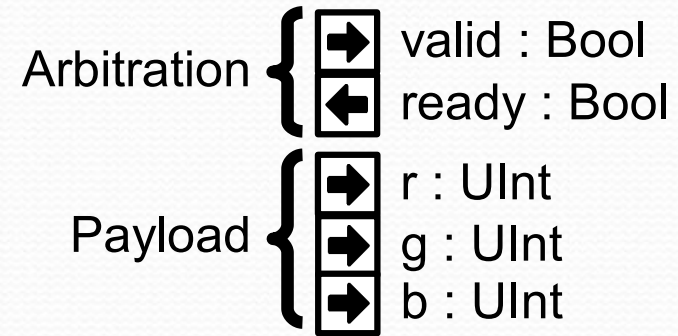
```
class Timer(width : Int) extends Component{
  val io = new Bundle{
    val tick      = in Bool
    val clear     = in Bool
    val limit     = in UInt(width bits)
    val full     = out Bool
  }
}
```

```
val counter = Reg(UInt(width bits))
when(io.tick && !io.full){
  counter := counter + 1
}
when(io.clear){
  counter := 0
}
```

```
io.full := counter === io.limit
}
```



# Having a Hand-shake bus of color and wanting to queue it ?

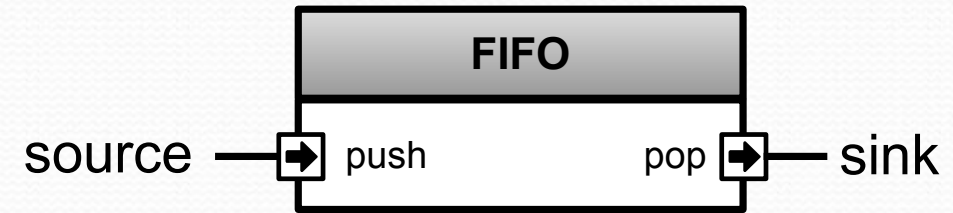


# In standard VHDL-2002

```
signal source_valid : std_logic;  
signal source_ready : std_logic;  
signal source_r      : unsigned(4 downto 0);  
signal source_g      : unsigned(5 downto 0);  
signal source_b      : unsigned(4 downto 0);
```

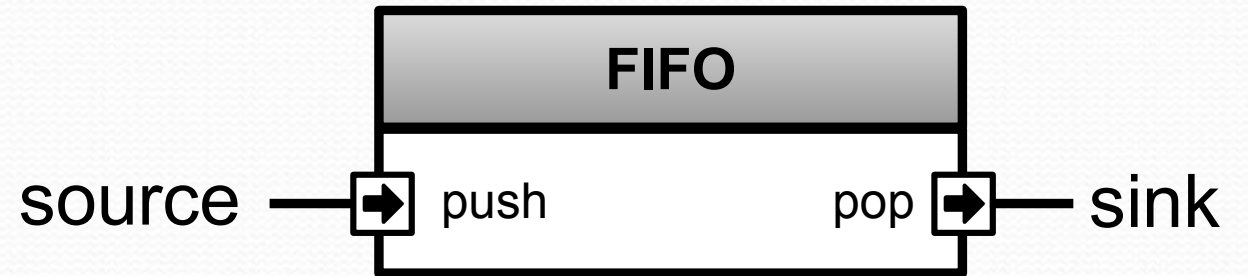
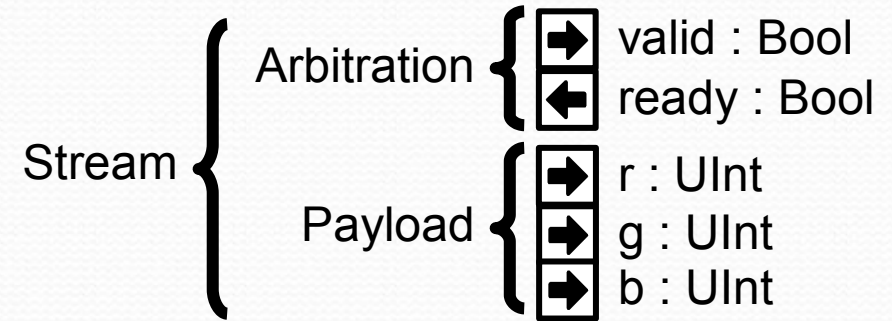
```
signal sink_valid : std_logic;  
signal sink_ready : std_logic;  
signal sink_r      : unsigned(4 downto 0);  
signal sink_g      : unsigned(5 downto 0);  
signal sink_b      : unsigned(4 downto 0);
```

```
fifo_inst : entity work.Fifo  
  generic map (  
    depth          => 16,  
    payload_width => 16  
  )  
  port map (  
    clk => clk,  
    reset => reset,  
    push_valid => source_valid,  
    push_ready => source_ready,  
    push_payload(4 downto 0) => source_payload_r,  
    push_payload(10 downto 5) => source_payload_g,  
    push_payload(15 downto 11) => source_payload_b,  
    pop_valid => sink_valid,  
    pop_ready => sink_ready,  
    pop_payload(4 downto 0) => sink_payload_r,  
    pop_payload(10 downto 5) => sink_payload_g,  
    pop_payload(15 downto 11) => sink_payload_b  
  );
```



# In SpinalHDL

```
val source, sink = Stream(RGB(5,6,5))
val fifo = StreamFifo(
  dataType = RGB(5,6,5),
  depth    = 16
)
fifo.io.push << source
fifo.io.pop >> sink
```



# About Stream

```
case class Stream[T <: Data](payloadType : HardType[T]) extends Bundle {
```

```
  val valid    = Bool
```

```
  val ready    = Bool
```

```
  val payload  = payloadType()
```

```
  def >>(sink: Stream[T]): Unit = {
```

```
    sink.valid    := this.valid
```

```
    this.ready    := sink.ready
```

```
    sink.payload := this.payload
```

```
  }
```

```
  def queue(size: Int): Stream[T] = {
```

```
    val fifo = new StreamFifo(payloadType, size)
```

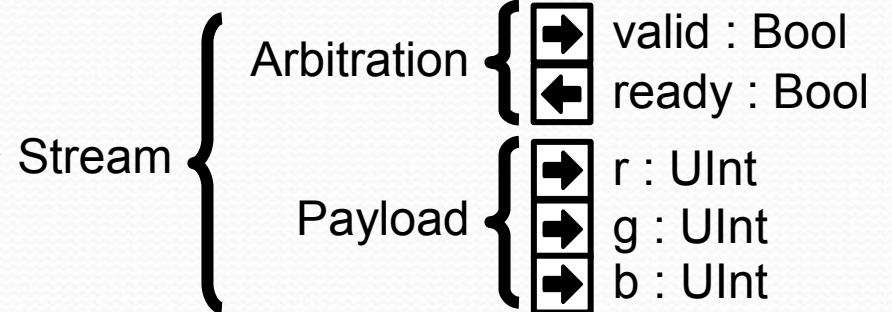
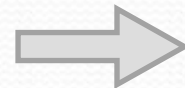
```
    this >> fifo.io.push
```

```
    return fifo.io.pop
```

```
  }
```

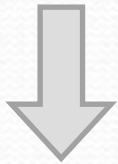
```
}
```

Stream(RGB(5,6,5))



# Queuing in SpinalHDL++

```
val source, sink = Stream(RGB(5,6,5))
val fifo = StreamFifo(
  dataType = RGB(5,6,5),
  depth = 16
)
fifo.io.push << source
fifo.io.pop >> sink
```

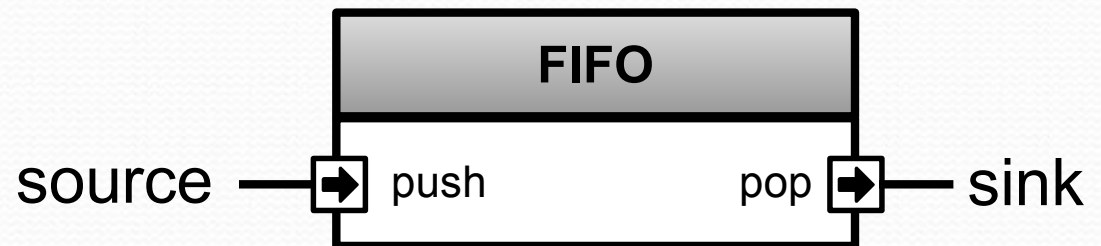
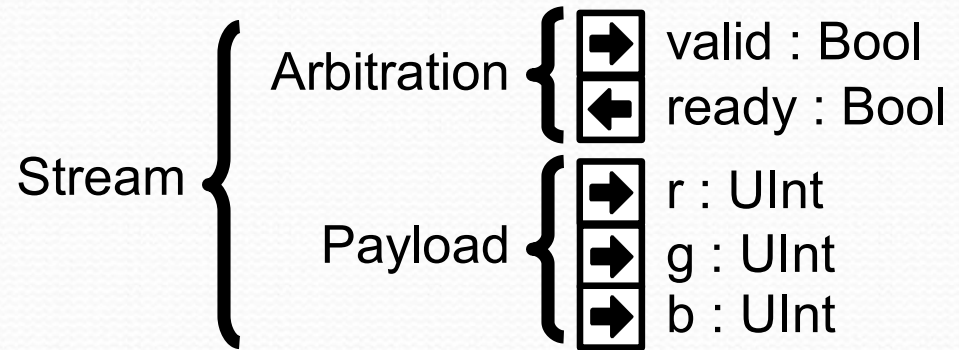


```
val source, sink = Stream(RGB(5,6,5))
```

```
source.queue(16) >> sink
```

SpinalHDL => 2 lines

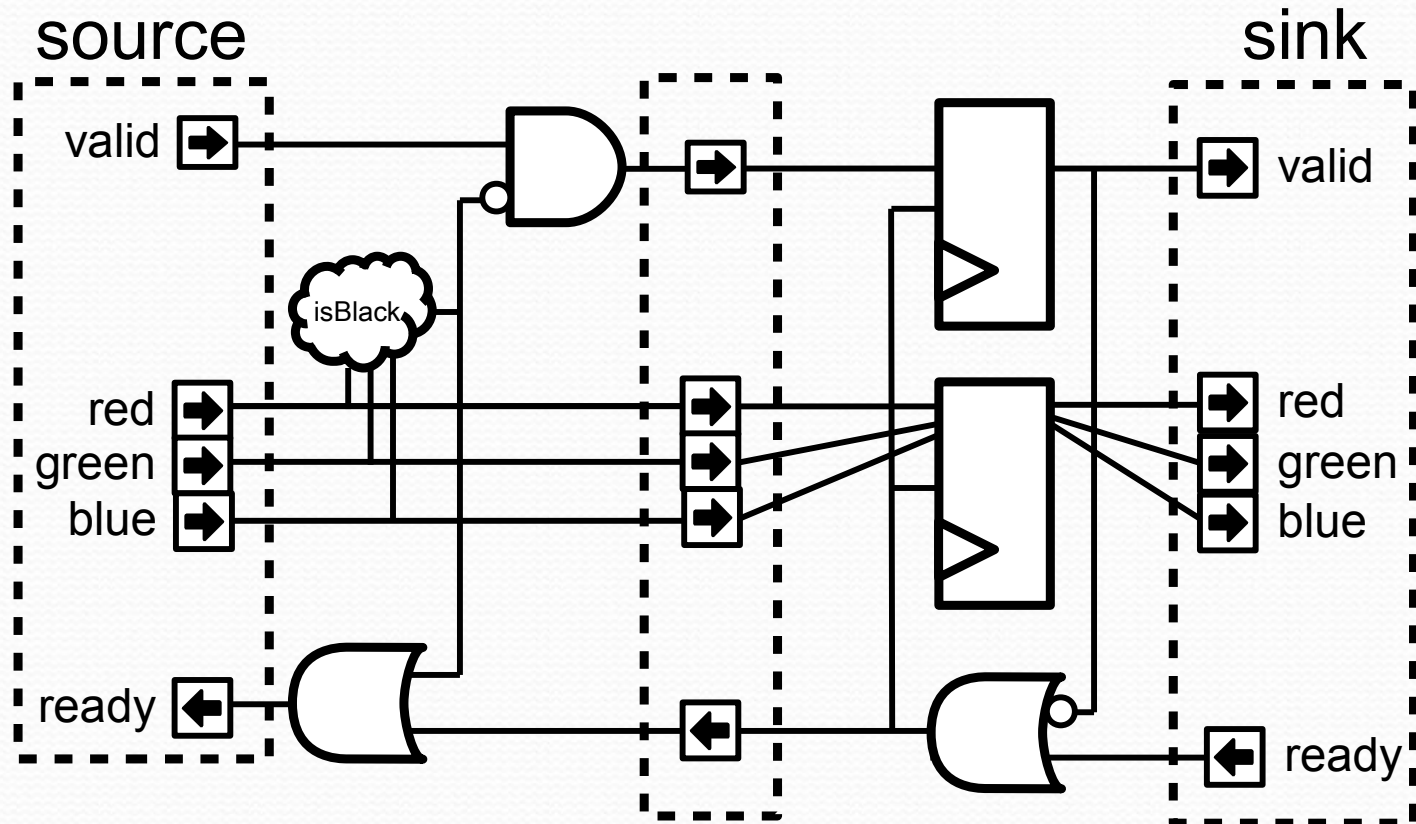
VHDL => 29 lines



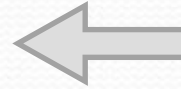
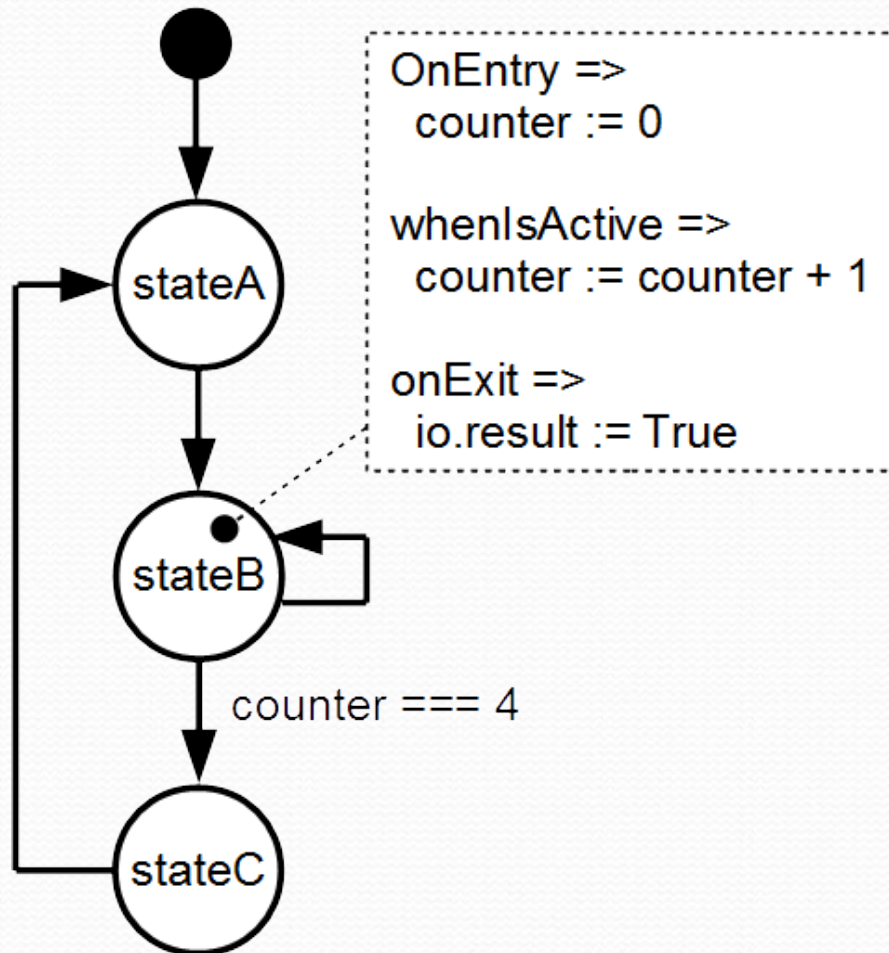
# Abstract arbitration

```
val source = Stream(RGB(5,6,5))
```

```
val sink = source.throwWhen(source.payload.isBlack).stage()
```



# FSM



```
val fsm = new StateMachine{  
  val stateA = new State with EntryPoint  
  val stateB = new State  
  val stateC = new State
```

```
  val counter = Reg(UInt(8 bits)) init (0)  
  io.result := False
```

```
  stateA.whenIsActive (goto(stateB))
```

```
  stateB
```

```
    .onEntry(counter := 0)
```

```
    .whenIsActive {
```

```
      counter := counter + 1
```

```
      when(counter === 4){
```

```
        goto(stateC)
```

```
      }
```

```
    }
```

```
    .onExit(io.result := True)
```

```
  stateC.whenIsActive (goto(stateA))
```

```
}
```

# Abstract bus mapping

*//Create a new AxiLite4 bus*

```
val bus = AxiLite4(addressWidth = 12, dataWidth = 32)
```

*//Create the factory which is able to create some bridging logic between the bus and some hardware*

```
val factory = new AxiLite4SlaveFactory(bus)
```

*//Create 'a' and 'b' as write only register*

```
val a = factory.createWriteOnly(UInt(32 bits), address = 0)
```

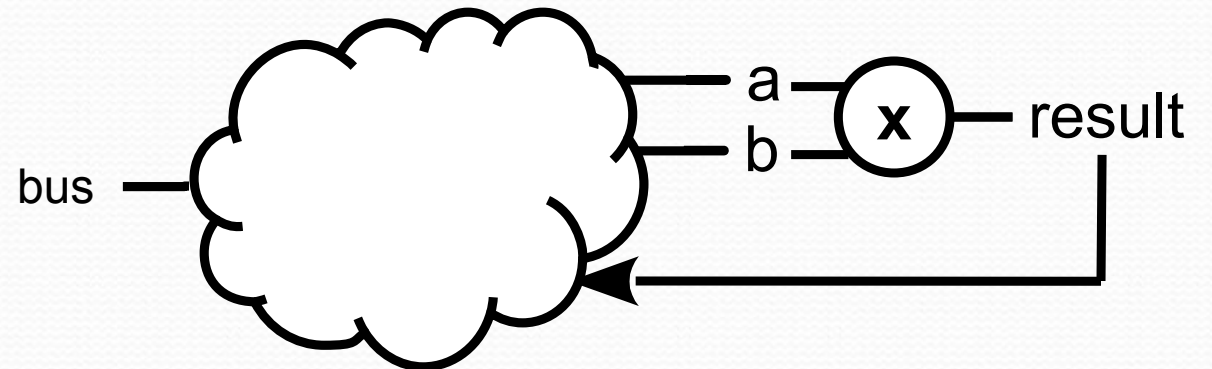
```
val b = factory.createWriteOnly(UInt(32 bits), address = 4)
```

*//Do some calculation*

```
val result = a * b
```

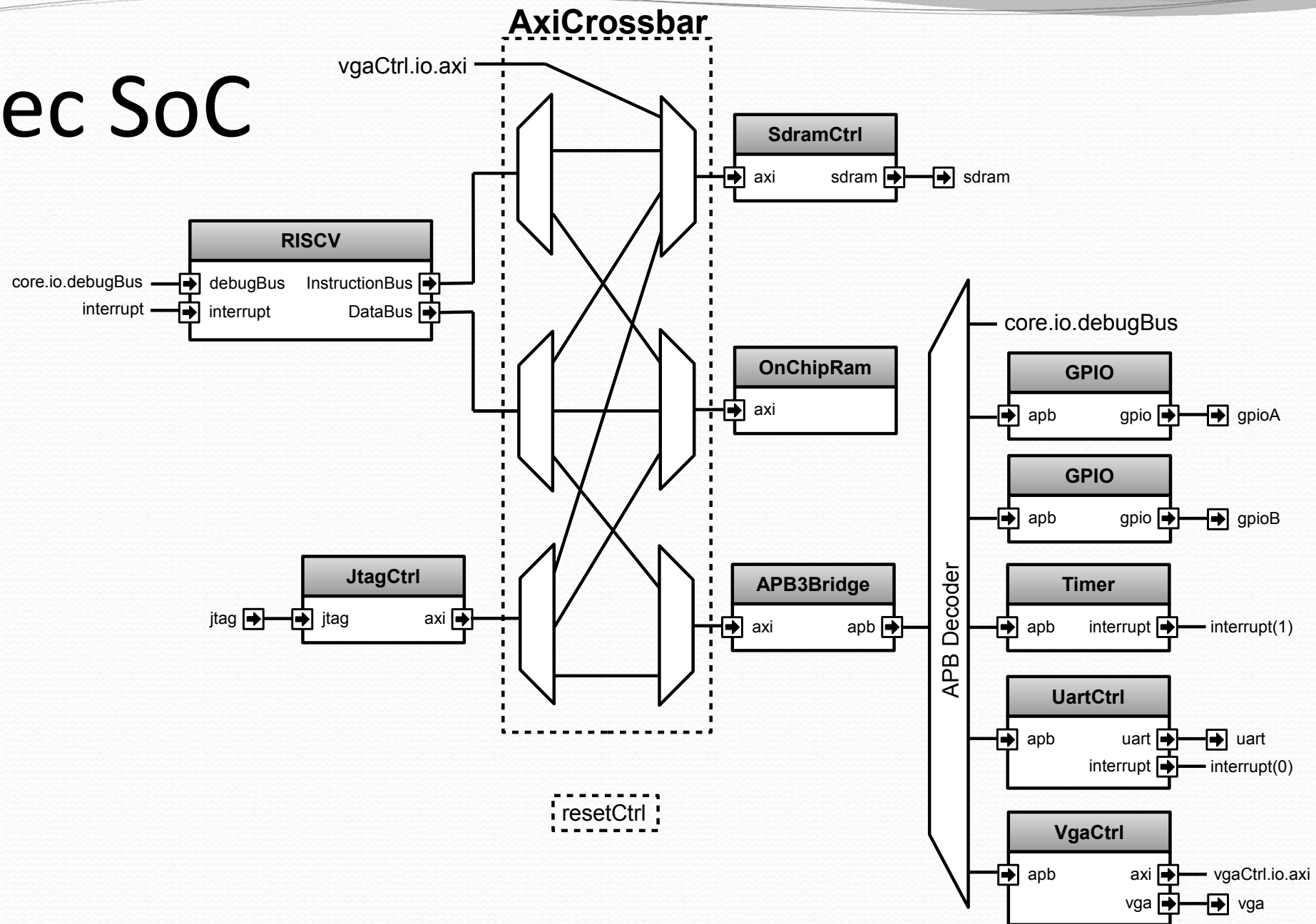
*//Make 'result' readable by the bus*

```
factory.read(result(31 downto 0), address = 8)
```





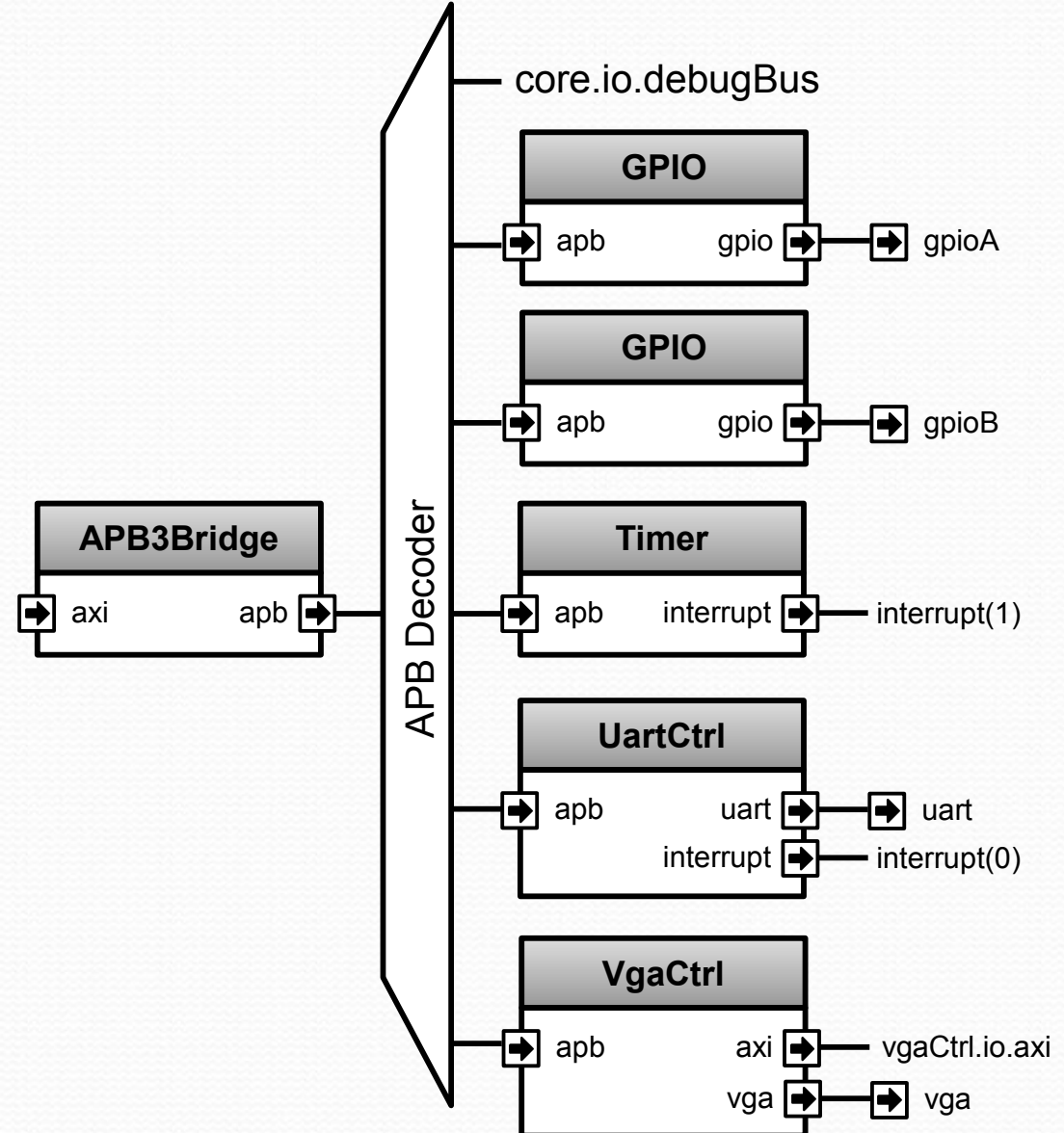
# Pinsec SoC



# Peripheral side

```
val apbBridge = Axi4ToApb3Bridge(  
  addressWidth = 20,  
  dataWidth    = 32,  
  idWidth      = 4  
)
```

```
val apbDecoder = Apb3Decoder(  
  master = apbBridge.io.apb,  
  slaves = List(  
    gpioACtrl.io.apb -> (0x00000, 4 kB),  
    gpioBCtrl.io.apb -> (0x01000, 4 kB),  
    uartCtrl.io.apb  -> (0x10000, 4 kB),  
    timerCtrl.io.apb -> (0x20000, 4 kB),  
    vgaCtrl.io.apb   -> (0x30000, 4 kB),  
    core.io.debugBus -> (0xF0000, 4 kB)  
  )  
)
```



# AXI4 side (OOP – Factory - DataModel)

```
val axiCrossbar = Axi4CrossbarFactory()
```

```
axiCrossbar.addSlaves(
```

```
    ram.io.axi      -> (0x00000000L, onChipRamSize),
```

```
    sdramCtrl.io.axi -> (0x40000000L, sdramLayout.capacity),
```

```
    apbBridge.io.axi -> (0xF0000000L, 1 MB)
```

```
)
```

```
axiCrossbar.addConnections(
```

```
    core.io.i      -> List(ram.io.axi, sdramCtrl.io.axi),
```

```
    core.io.d      -> List(ram.io.axi, sdramCtrl.io.axi, apbBridge.io.axi),
```



```
    jtagCtrl.io.axi -> List(ram.io.axi, sdramCtrl.io.axi, apbBridge.io.axi),
```

```
    vgaCtrl.io.axi -> List(sdramCtrl.io.axi)
```

```
)
```

```
axiCrossbar.build()
```

# About SpinalHDL project

- Completely open source :
  - <https://github.com/SpinalHDL/SpinalHDL> 
- Online documentation :
  - <https://spinalhdl.github.io/SpinalDoc/>
- Ready to use base project :
  - <https://github.com/SpinalHDL/SpinalBaseProject>
- Communication channels :
  - [spinalhdl@gmail.com](mailto:spinalhdl@gmail.com)
  - <https://gitter.im/SpinalHDL/SpinalHDL> 
  - <https://github.com/SpinalHDL/SpinalHDL/issues>

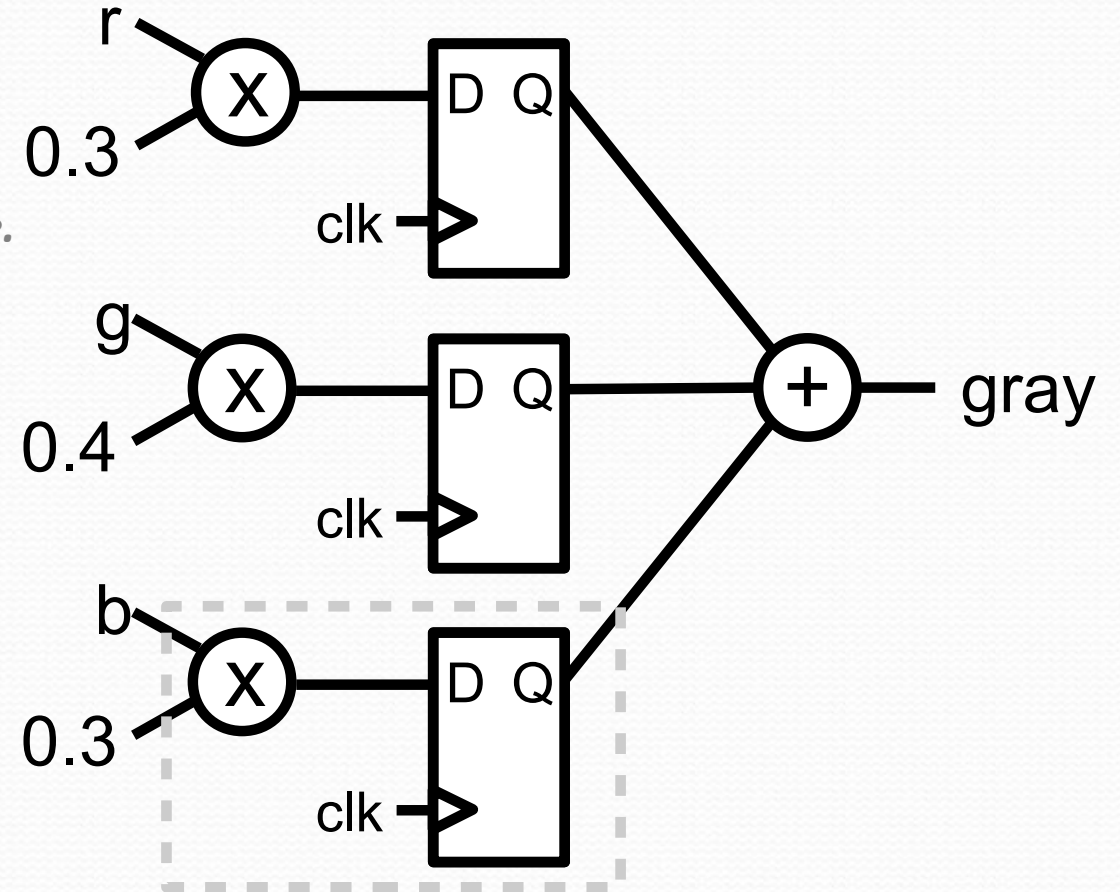
End / removed slides

# Real functions capabilities

```
// Input RGB color  
val r,g,b = UInt(8 bits)
```

```
// Define a function to multiply a UInt by a scala Float value.  
def coefMul(value : UInt,by : Float) : UInt = {  
  val resultReg = Reg(UInt(8 bits))  
  resultReg := (value * U((255*by).toInt,8 bits)) >> 8  
  return resultReg  
}
```

```
//Calculate the gray level  
val gray = coefMul(r, 0.3f) +  
           coefMul(g, 0.4f) +  
           coefMul(b, 0.3f)
```



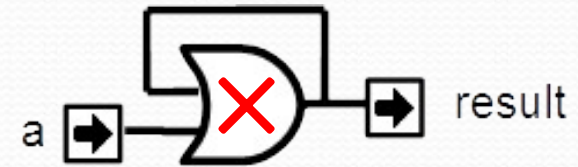
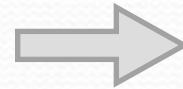
# Abstract arbitration

```
def throwWhen(cond: Bool): Stream[T] = {  
  val ret = Stream(dataType)  
  
  ret << this  
  when(cond) {  
    ret.valid := False  
    this.ready := True  
  }  
  return ret  
}
```

```
def stage(): Stream[T] = {  
  val ret = Stream(dataType)  
  
  val rValid = Reg(Bool) init(False)  
  val rData = Reg(dataType)  
  this.ready := !ret.valid || ret.ready  
  
  when(this.ready) {  
    rValid := this.valid  
    rData := this.payload  
  }  
  
  ret.valid := rValid  
  ret.payload := rData  
  
  return ret  
}
```

# Safety first !

```
val a      = Bool
val result = Bool
result := a | result //Loop detected by SpinalHDL
```



```
val result = Bool
when(cond){ //result is not assigned in all cases => Latch detected by SpinalHDL
  result := True
}
```



# Basic abstractions

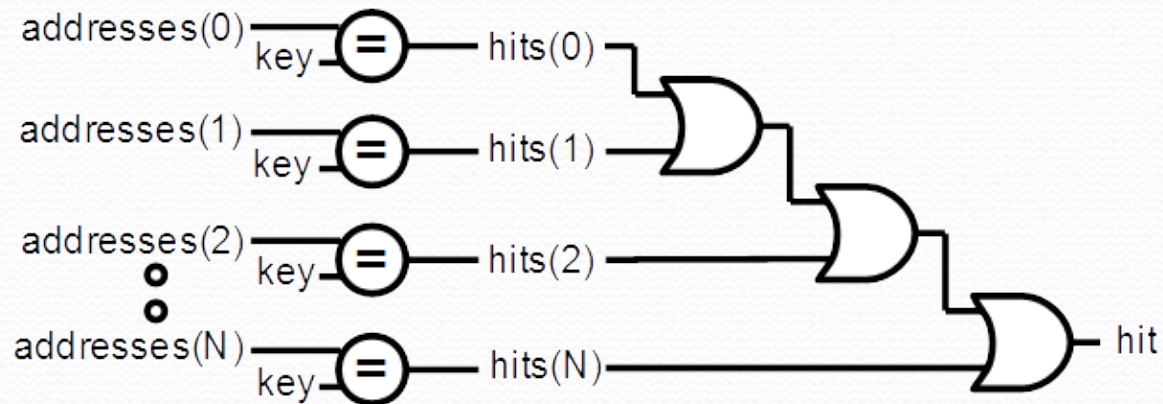
```
val timeout = Timeout(1000)
when(timeout){ //implicit conversion to Bool
    timeout.clear() //Clear the flag and the internal counter
}
```

```
//Create a counter of 10 states (0 to 9)
```

```
val counter = Counter(10)
counter.clear() //When called it reset the counter. It's not a flag
counter.increment() //When called it increment the counter. It's not a flag
counter.value //current value
counter.valueNext //Next value
counter.willOverflow //Flag that indicate if the counter overflow this cycle
when(counter === 5){ ...}
```

# Functional programming

```
val addresses = Vec(UInt(8 bits),4)
val key = UInt(8 bits)
val hits = addresses.map(address => address === key)
val hit = hits.reduce((a,b) => a || b)
```



# Design introspection

**val** *a* = UInt(8 bits)

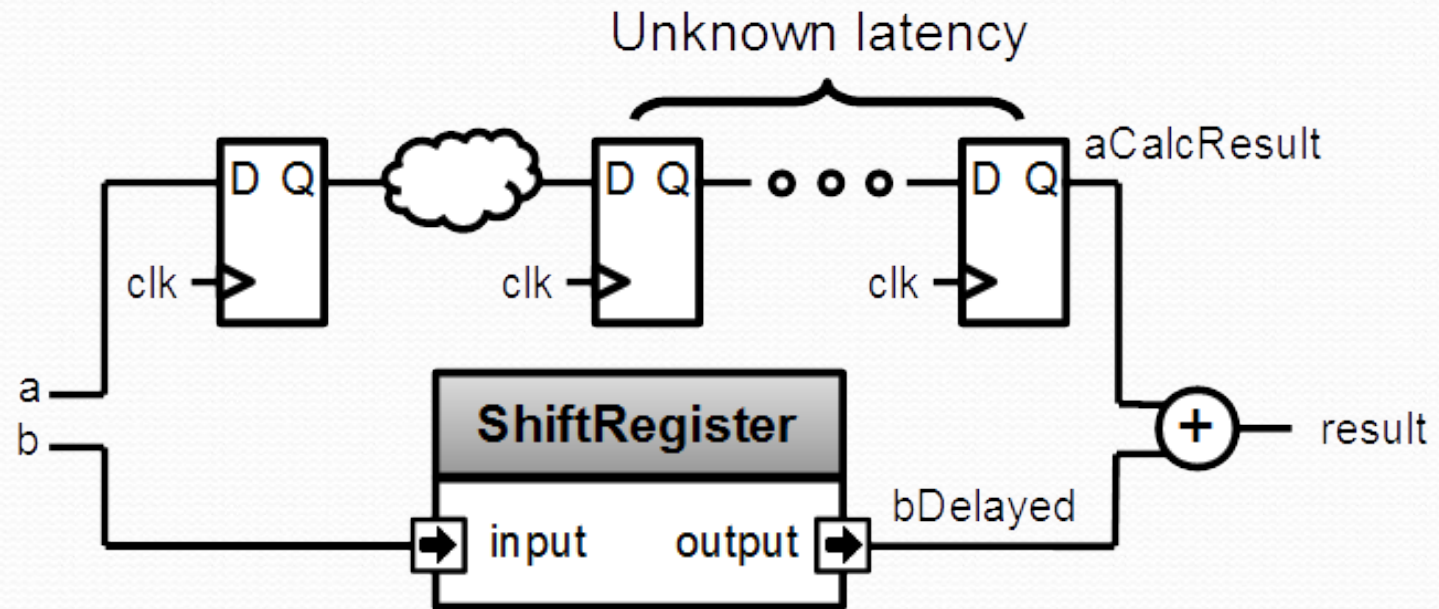
**val** *b* = UInt(8 bits)

**val** *aCalcResult* = complicatedLogic(*a*)

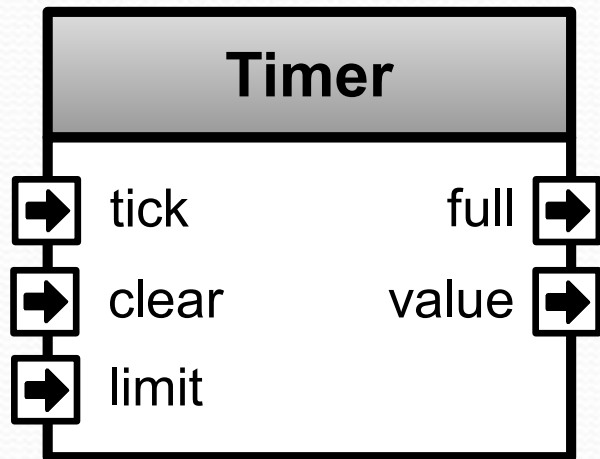
**val** *aLatency* = LatencyAnalysis(*a*, *aCalcResult*)

**val** *bDelayed* = Delay(*b*, cycleCount = *aLatency*)

**val** *result* = *aCalcResult* + *bDelayed*

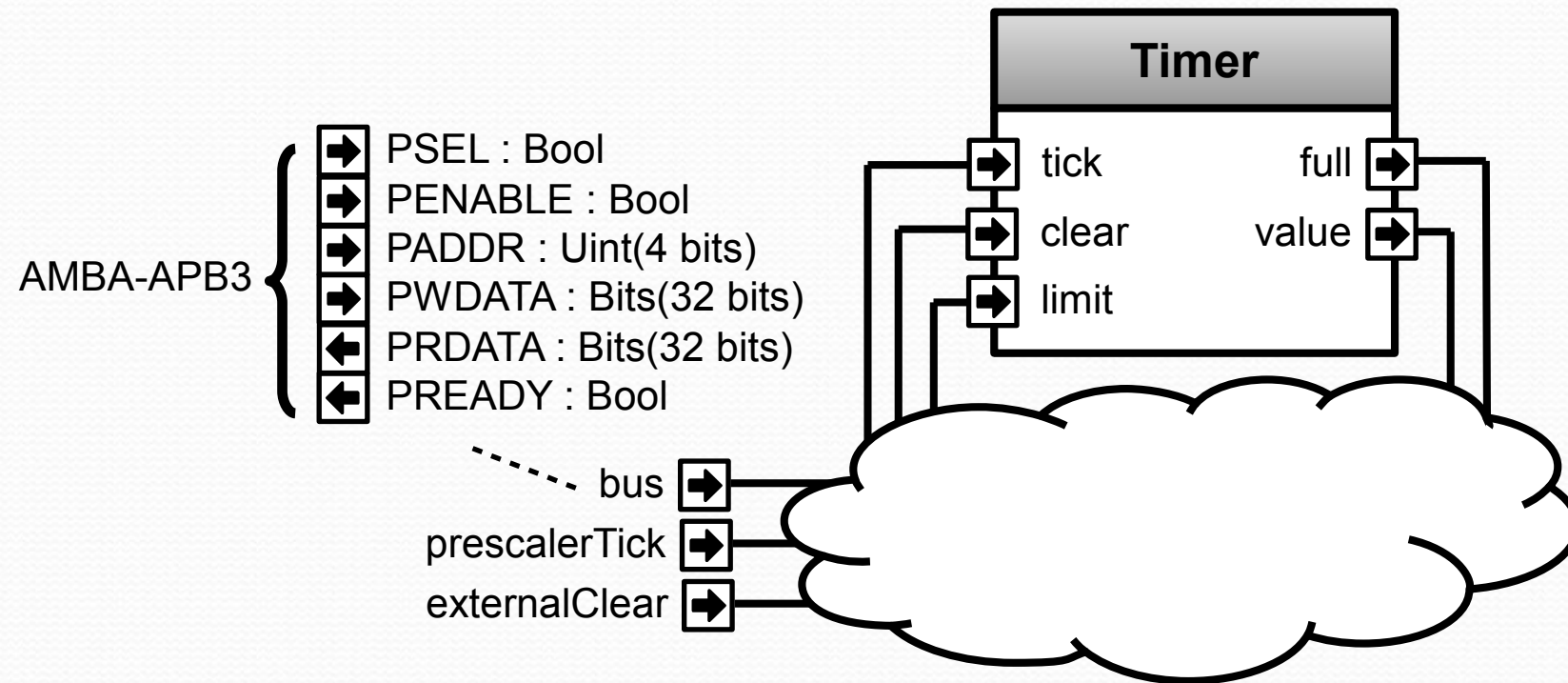


# Imagine a simple timer



```
case class Timer(width : Int) extends Component{  
  val io = new Bundle{  
    val tick      = in Bool  
    val clear     = in Bool  
    val limit     = in UInt(width bits)  
  
    val full      = out Bool  
    val value     = out UInt(width bits)  
  }  
  
  val counter = Reg(UInt(width bits))  
  when(io.tick && !io.full){  
    counter := counter + 1  
  }  
  when(io.clear){  
    counter := 0  
  }  
  
  io.full := counter === io.limit  
  io.value := counter  
}
```

# Imagine you want to connect it



```

case class Timer(width : Int) extends Component{
  val io = new Bundle {
    // ...
    def driveFrom(busCtrl : BusSlaveFactory,baseAddress : BigInt)
      (ticks : Seq[Bool],clears : Seq[Bool]) = new Area {
      clear := False

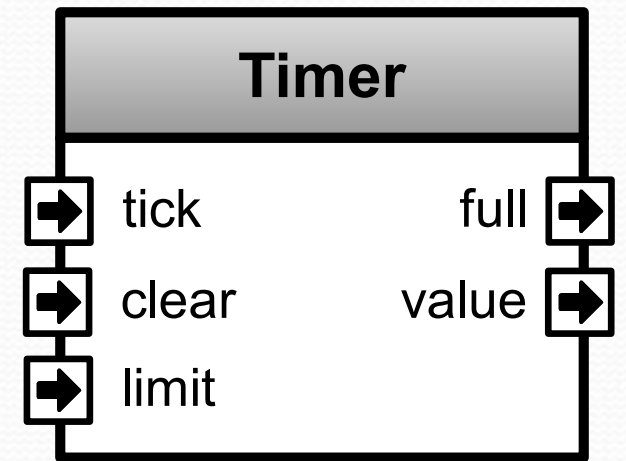
      //Address 0 => read/write limit (+ auto clear)
      busCtrl.driveAndRead(limit,baseAddress + 0)
      clear.setWhen(busCtrl.isWriting(baseAddress + 0))

      //Address 4 => read timer value / write => clear timer value
      busCtrl.read(value,baseAddress + 4)
      clear.setWhen(busCtrl.isWriting(baseAddress + 4))

      //Address 8 => clear/tick masks + bus
      // ...
    }
  }
  // ...
}

```

# Let's define a function !



# Let's use it :

```
val apb = Apb3(addressWidth = 8, dataWidth = 32)
val external = new Bundle{
    val clear,tick = Bool
}
```

```
val prescaler = Prescaler(16)
val timerA = Timer(32)
val timerB,timerC = Timer(16)
```

```
val busCtrl = Apb3SlaveFactory(apb)
```

```
val prescalerBridge = prescaler.io.driveFrom(busCtrl,0x00)
```

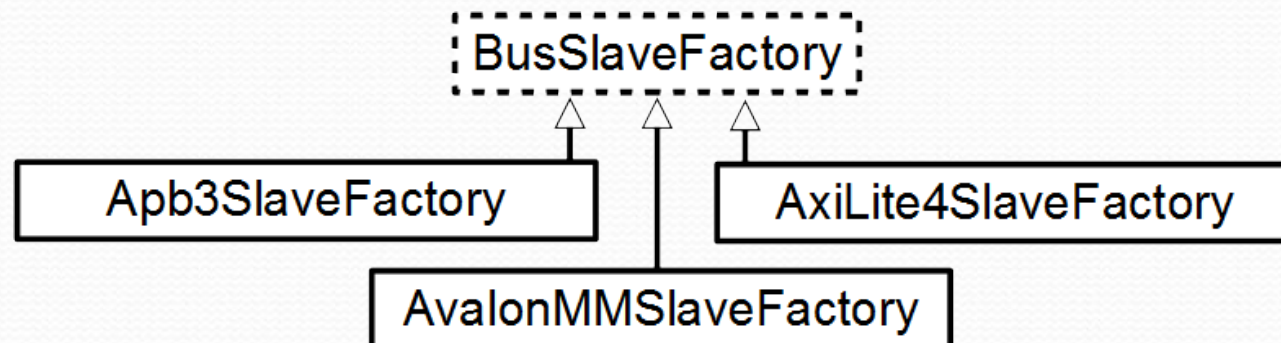
```
val timerABridge = timerA.io.driveFrom(busCtrl,0x40)(
    ticks = List(True, prescaler.io.overflow),
    clears = List(timerA.io.full)
)
```

```
val timerBBridge = timerB.io.driveFrom(busCtrl,0x50)(
    ticks = List(True, prescaler.io.overflow, external.tick),
    clears = List(timerB.io.full, external.clear)
)
```

```
val timerCBridge = timerC.io.driveFrom(busCtrl,0x60)(
    ticks = List(True, prescaler.io.overflow, external.tick),
    clears = List(timerC.io.full, external.clear)
)
```

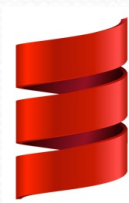
# Bus Slave Factory

- Software engineering meet Hardware description
  - Abstract class (BusSlaveFactory)
  - Polymorphism (APB 3, AvalonMM, AXI-Lite 4)
  - HashMap/Dictionnary
  - Datamodel elaboration
- You can implement new variations of the tool (Wishbone ?)





# About Scala



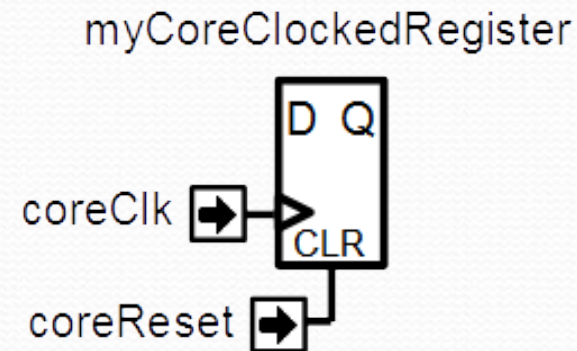
- Free Scala IDE (eclipse, intelij)
  - Highlight syntax error
  - Renaming flexibility
  - Intelligent auto completion
  - Code structure overview
  - Navigation tools
- Emacs plugin
- Allow you to extend the language
- Provide many libraries

# ClockDomains

```
val coreClk    = Bool  
val coreReset = Bool
```

```
val coreClockDomain = ClockDomain(  
  clock = coreClk,  
  reset = coreReset,  
  config = ClockDomainConfig(  
    clockEdge      = RISING,  
    resetKind      = ASYNC,  
    resetActiveLevel = HIGH  
  )  
)
```

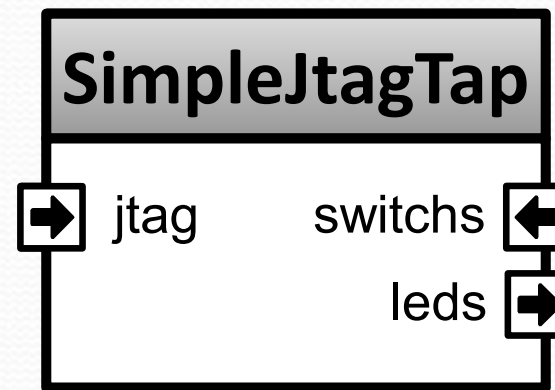
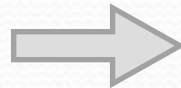
```
val coreArea = new ClockingArea(coreClockDomain) {  
  val myCoreClockedRegister = Reg(UInt(4 bit))  
  //...  
}
```



# JTAG slave (tap)

```
class SimpleJtagTap extends Component {  
  val io = new Bundle {  
    val jtag      = slave(Jtag())  
    val switches = in  Bits(8 bit)  
    val leds      = out Bits(8 bit)  
  }  
}
```

```
val tap = new JtagTap(io.jtag, 8)  
val idcodeArea = tap.idcode(B"x87654321")(instructionId=4)  
val switchesArea = tap.read (io.switches)      (instructionId=5)  
val ledsArea    = tap.write(io.leds)          (instructionId=6)  
}
```



# VHDL and Verilog

- Initially designed for simulation/documentation purposes, a long time ago
  - Process/Always blocks doesn't make sense in RTL
  - No object oriented programming, no functional programming
  - ...
- Simple concepts are verbose
  - Component/Module instantiation
  - Interface instantiation
  - ...
- No meta-hardware description capabilities

# Blessed VHDL-2008 and SV ?

- Not really
  - They keep the same paradigm to infer RTL (simulation constructs + event driven)
  - They didn't offer any meta-hardware description capabilities
  - VHDL-2008 and SV synthesis support could be really bad
  - SV interface definitions are limited

